

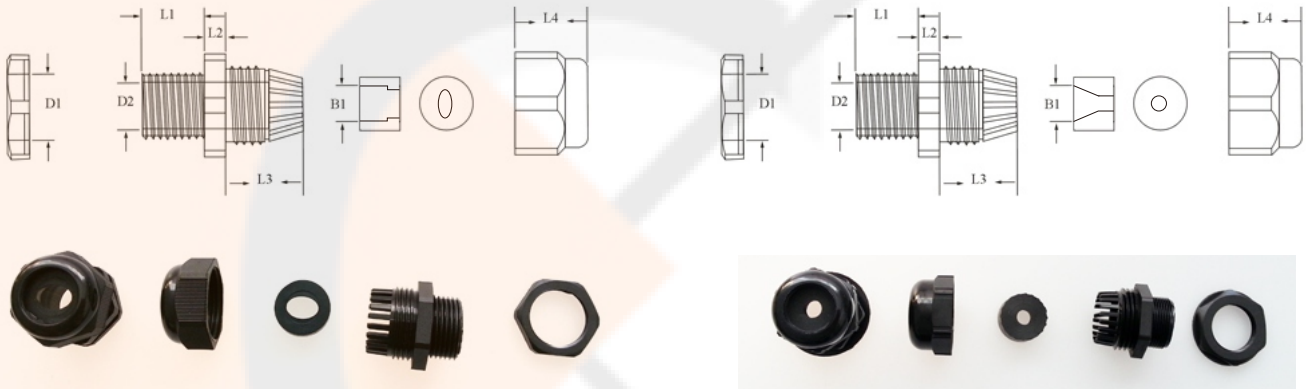
A053 Cable gland BSC, NPT

PRODUCT DESCRIPTION:

Used for machinery control box, distribution box, meter box, machine and electrical ,etc.



PRODUCT RANGE:



NPT 1"

CROP code: PG29(o)

D1: 30.7mm, D2:26mm,L1:14.2mm,
L2:6.96mm,L3:23.6mm, B1:23.4mm,L4:24mm
oval hole, diameter: 16.74mm,11.7mm

BSC

CROP code: PG29(r)

D1: 30.35mm, D2:25.36mm,L1:14.2mm,
L2:6.97mm,L3:23mm, B1:24.6mm,L4:24.5mm
round hole, O.D:25mm, ID:10mm

USED MATERIALS:

Anti UV themoplastic Nylon 66. Flexible PVC.

VARIANTS:

The product is manufactured and supplied in this form only.

PACKING:

Carton dimensions: 520*250*280

Contain 270Pcs

G.Weight: 0.052 kg/pcs.

STORAGE AND TRANSPORT:

Product don't have and specific requirements on storage.